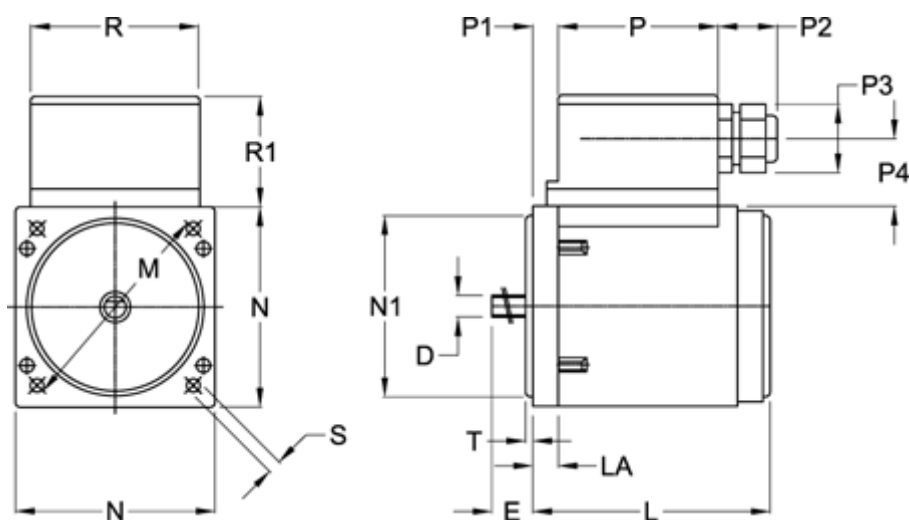


Article number: 7211800152461

Description: Induction Motor 8IN15GN4CT 15W term box
1300rpm 1x220-240V 50HZ pinion shaft

Measures



| | | | | | |
|-------------|-------|-----------------|--------|-------------|------------------------|
| D Diameter | = 7.2 | Number of teeth | = 10 | S | = 4x \varnothing 5,5 |
| E | = 12 | P | = 53.5 | T | = 2 |
| L | = 75 | P1 | = 4 | Weight (kg) | = 1.7 |
| LA | = 6.5 | P2 | = 25 | | |
| M Diameter | = 94 | P3 | = 27 | | |
| Module | = 0.5 | P4 | = 27.5 | | |
| N | = 80 | R | = 55 | | |
| N1 Diameter | = 73 | R1 | = 45.5 | | |